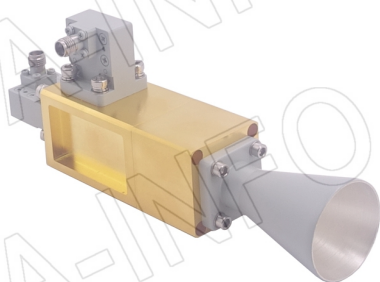


For reference only. See data sheet for the detailed specifications.

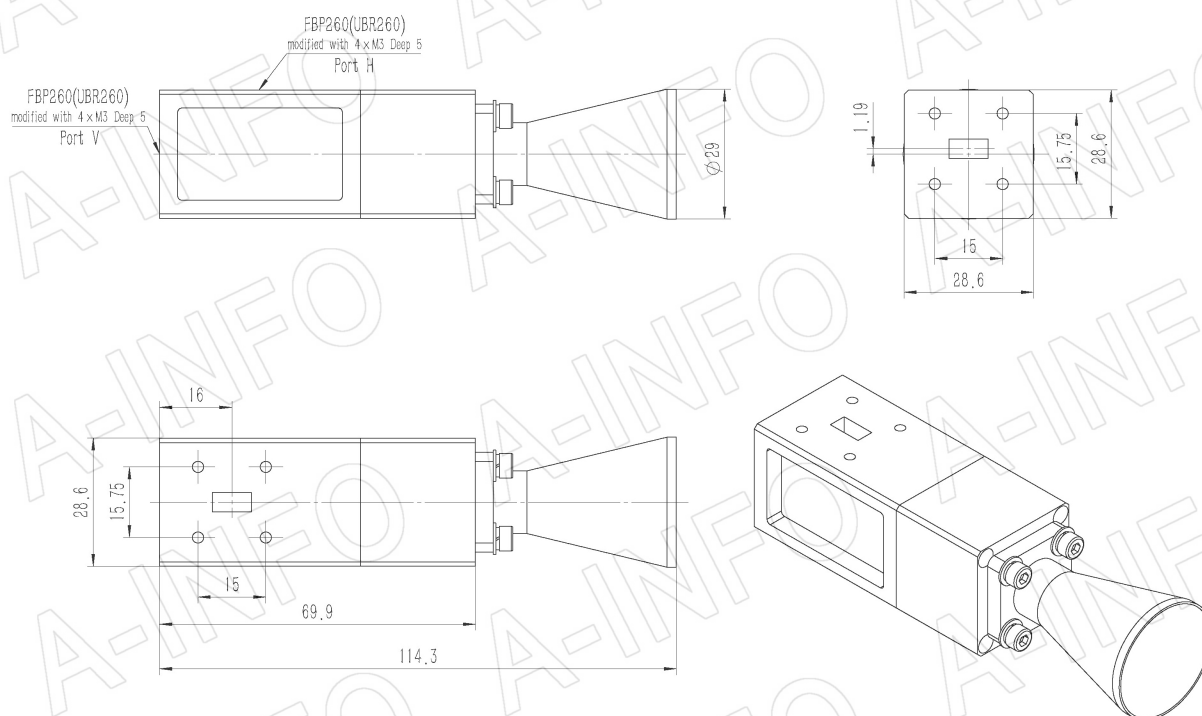
## Technical Specification



Frequency Range(GHz)	23.8 – 31.2
Waveguide	WR34
Gain(dBi)	15 Typ.
Polarization	Dual Linear
3dB Beamwidth(deg)	E Plane: 23 Typ.
	H Plane: 28 Typ.
Cross Pol. Isolation(dB)	40 Typ.
Port to Port Isolation(dB)	50 Typ. ; 40 Min.
VSWR	A Type: 1.60:1 Max.
	C Type: 1.80:1 Max.
Output	A Type: FBP260(UBR260) (Modified with 4xM3 D5)
	C Type: 2.92mm-Female
Material	Al
Finish	Gold Plated and Sliver Plated, Gray Paint
Size(mm)	A Type: 29 x 29 x 114.3
	C Type: 30.9 x 52.6 x 138.3
Net Weight(Kg)	A Type: 0.38 Around
	C Type: 0.48 Around

## Outline Drawing (Size: mm)

FBP260 Output (P/N: LB-CNH-34-15-T16-A)



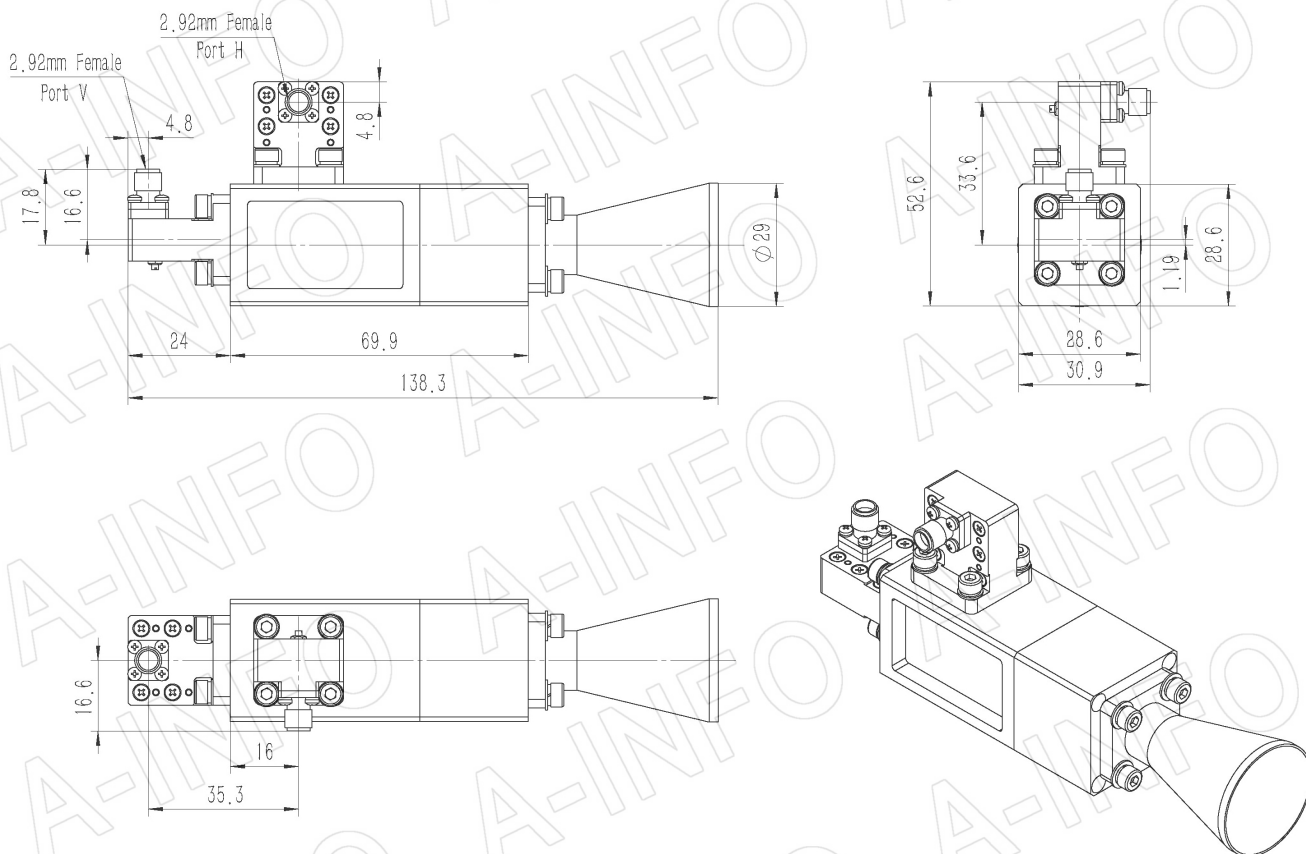
## AINFO Inc.

China(Beijing): Tel: (+86) 10-6266-7326,  
China(Chengdu): Tel: (+86) 28-8519-2786,  
USA : Tel: (+1) 949-639-9688,

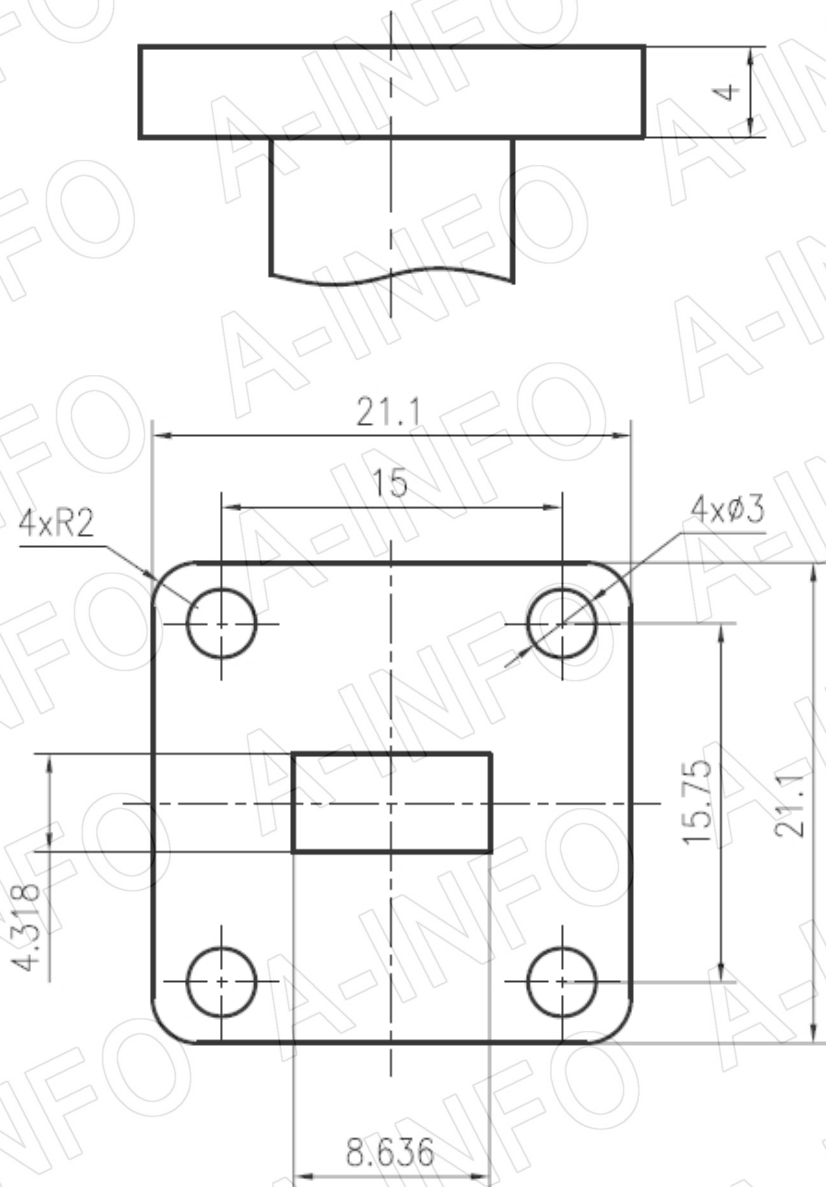
Page 1 of 10  
(+86) 10-6266-7327 Fax: (+86) 10-6266-7379  
(+86) 28-8519-3044 Fax: (+86) 28-8519-3068  
(+1) 949-639-9608 Fax: (+1) 949-639-9670

Website: [www.ainfoinc.com](http://www.ainfoinc.com)  
Email: [sales@ainfoinc.com](mailto:sales@ainfoinc.com)

## 2.92mm-Female Output (P/N: LB-CN-34-15-T16-C-KF)



## Flange Drawing (Size: mm)



### FBP260

#### AINFO Inc.

China(Beijing): Tel: (+86) 10-6266-7326,  
China(Chengdu): Tel: (+86) 28-8519-2786,  
USA: Tel: (+1) 949-639-9688,

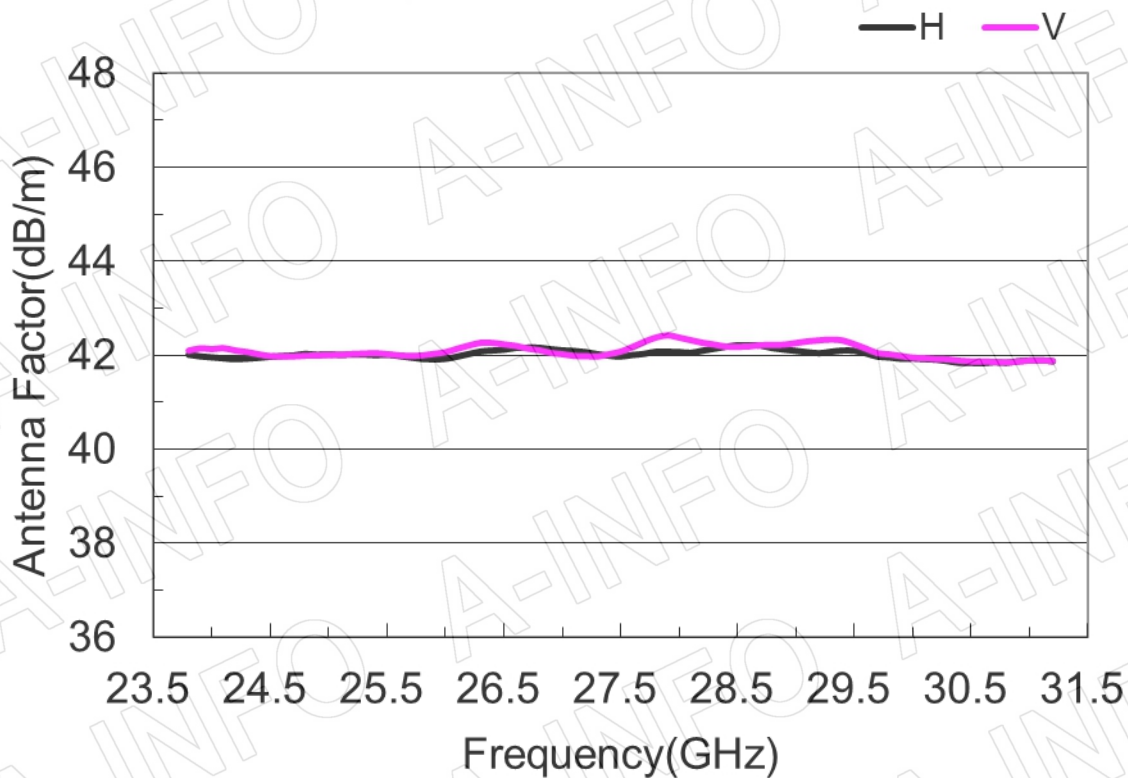
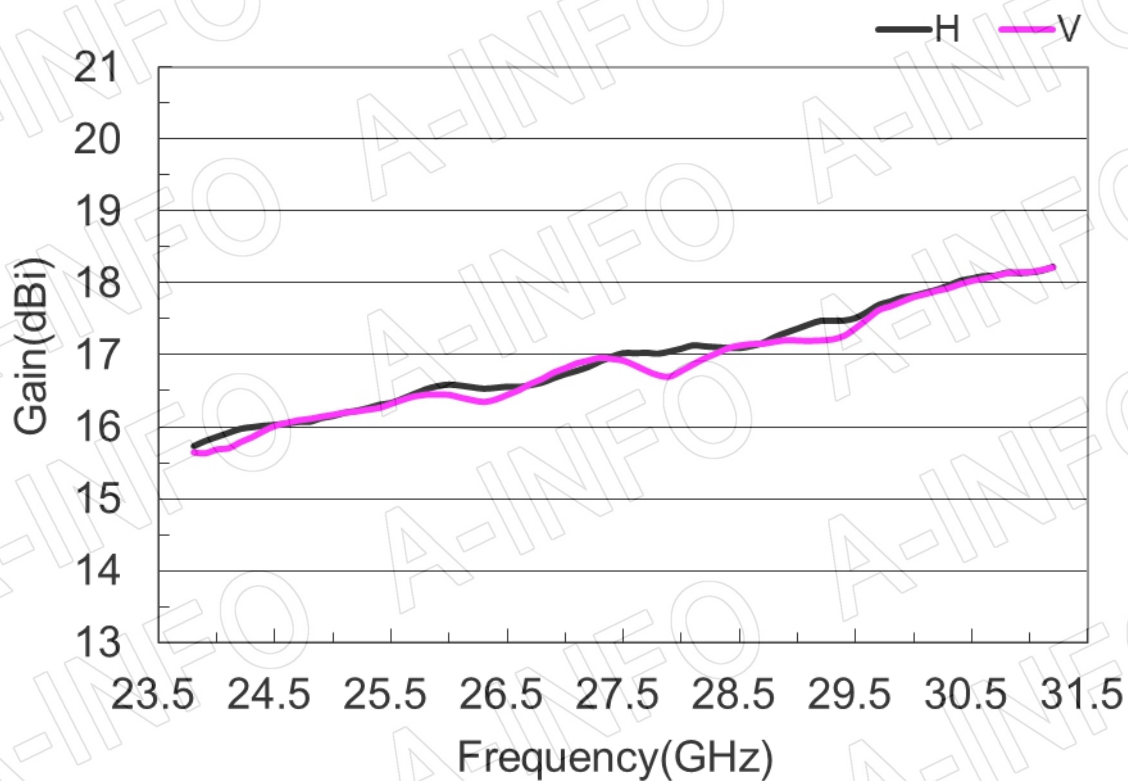
Page 3 of 10

(+86) 10-6266-7327 Fax: (+86) 10-6266-7379  
(+86) 28-8519-3044 Fax: (+86) 28-8519-3068  
(+1) 949-639-9608 Fax: (+1) 949-639-9670

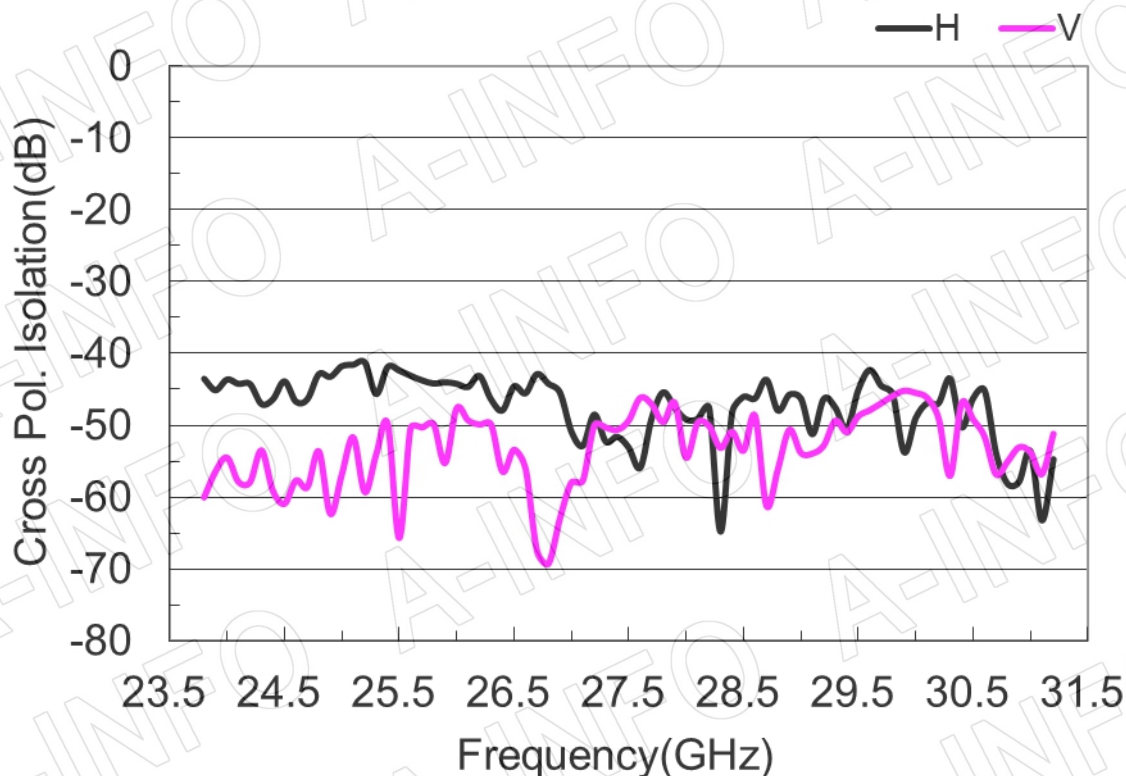
Website: [www.ainfoinc.com](http://www.ainfoinc.com)  
Email: [sales@ainfoinc.com](mailto:sales@ainfoinc.com)

## Test Results

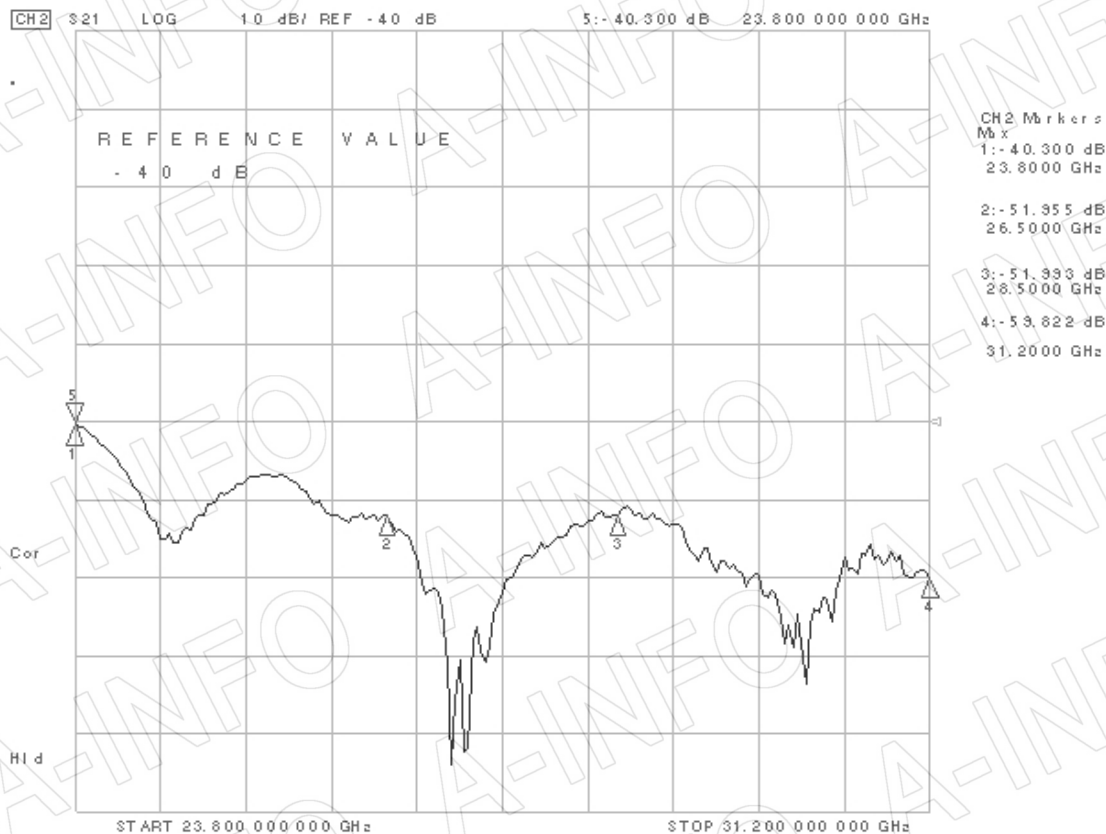
### 1. Gain & Antenna Factor



## 2. Cross Polarization Isolation

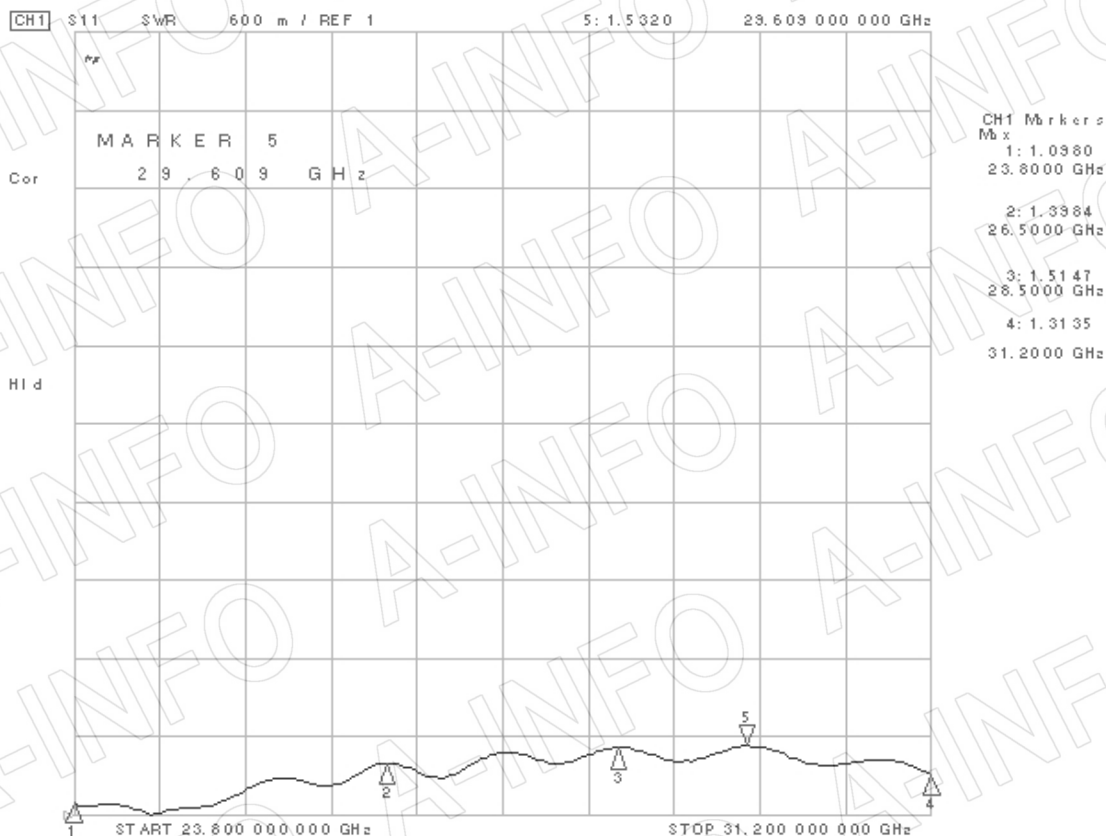


## 3. Port to Port Isolation

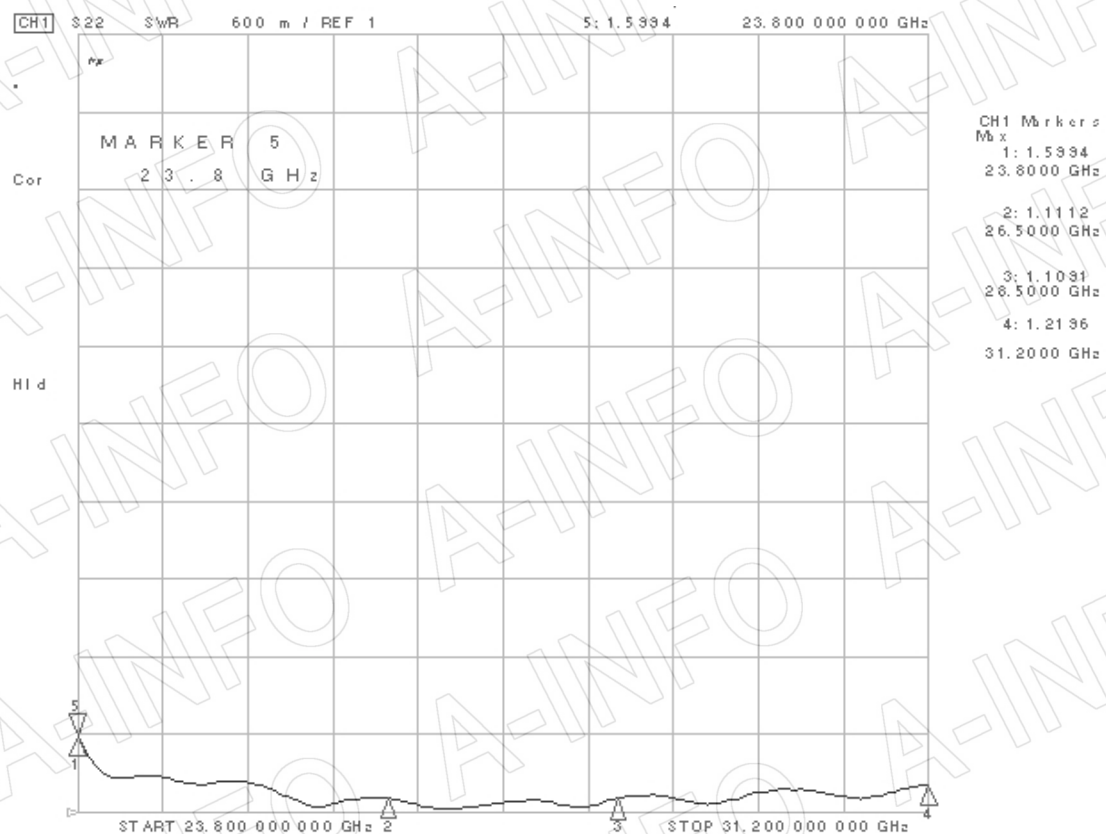


## 4. VSWR\_A Type

### Port-H

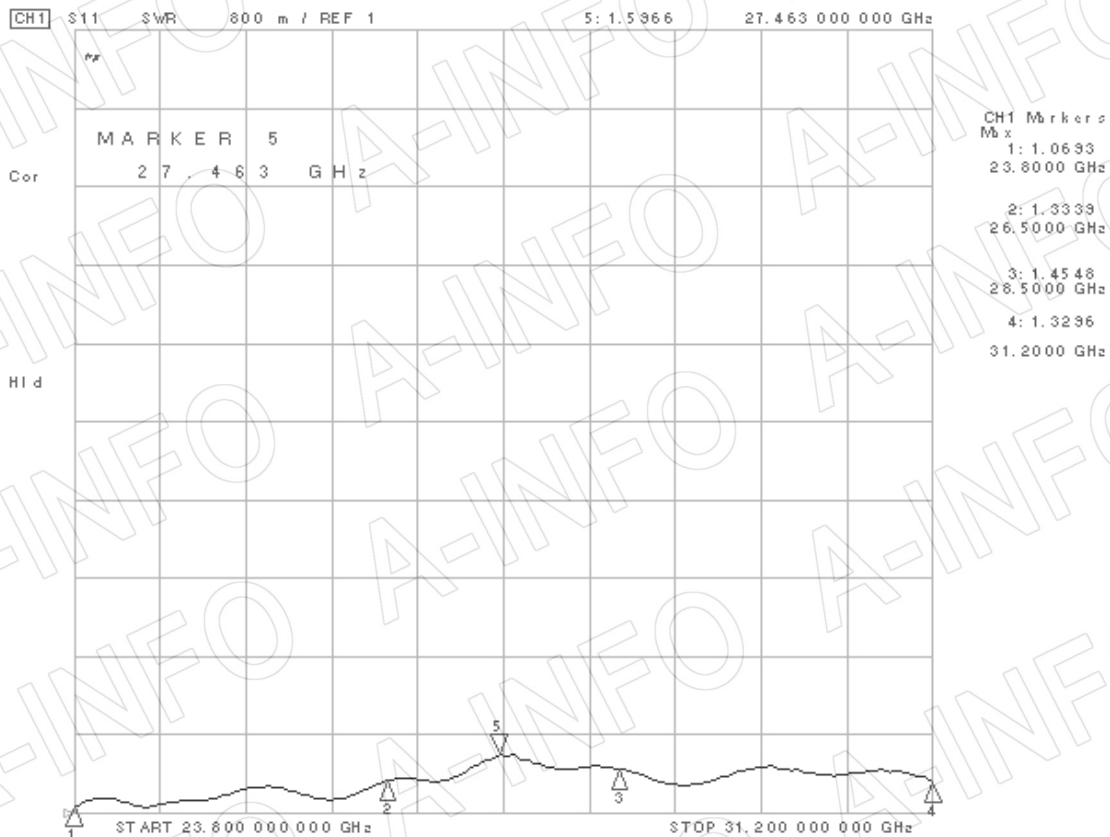


### Port-V

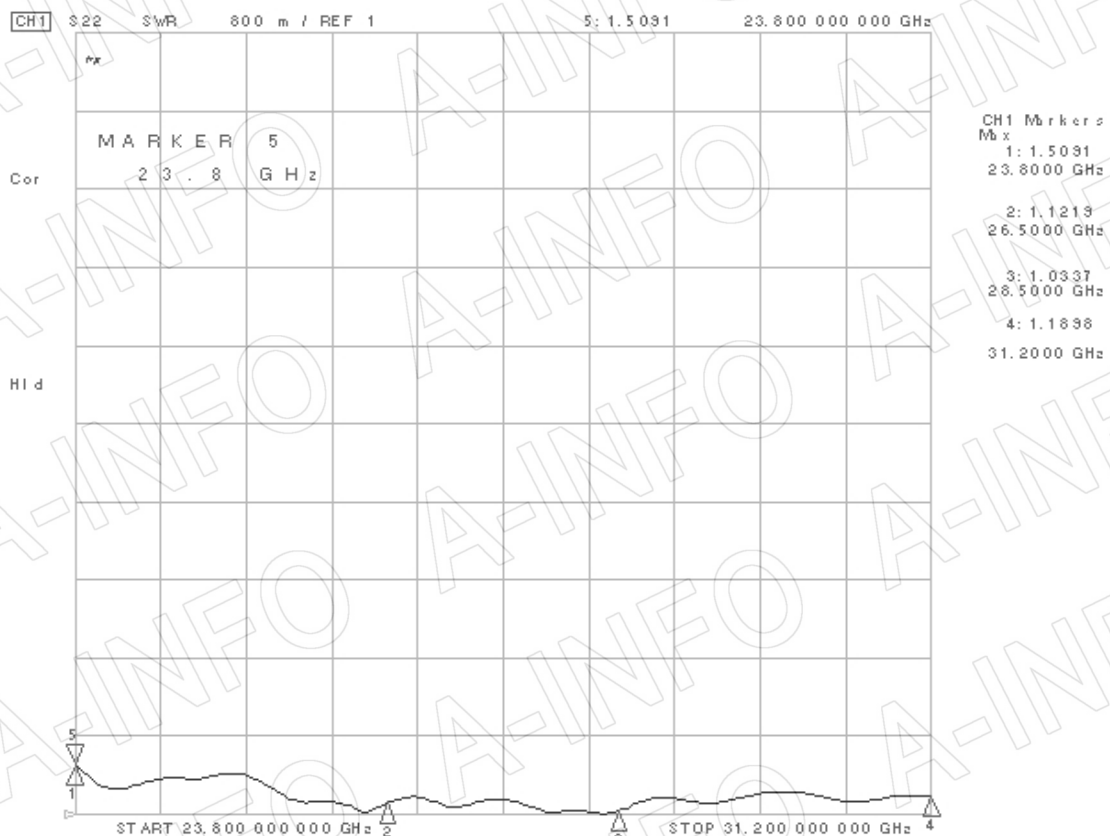


## VSWR\_C Type

### Port-H



### Port-V



## 5. Pattern

